

technical details

- Solo use or in combination with rear units.
- Conversion to crimproller by simple mounting of additional knives.

Designation	RoCut 300	RoCut 480	RoCut 630
Working width	2,95 m	4,80 m	6,30 m
Transport width	3,00 m	1,80 m	1,80 m
Knives	6 knives / diameter 340 mm		
Weight	510 kg	920 kg	1.080 kg
Traktor attachment	rear and front		
Power demand of	60 HP	90 HP	130 HP

agronomic benefit

- Shredding of organic materials such as cover crops, rapeseed or corn stubble with maximum area output.
- Low fuel and tractive power requirements.
- Can also be used flexibly for direct seeding.
- Very good ground hugging and smooth rolling behavior.

farming is you.

We are **4DISC** – a community of farmers, fruit growers and machine builders who solve typical problems in agriculture and fruit growing.

We are happy to help! Further information can be found at www.4disc.de.

4DISC

4 Disc GmbH
Bönninghauser Str. 5
44329 Dortmund

📞 +49 231 986 923 22

✉ 4disc@4disc.de

www.4disc.de ●●●

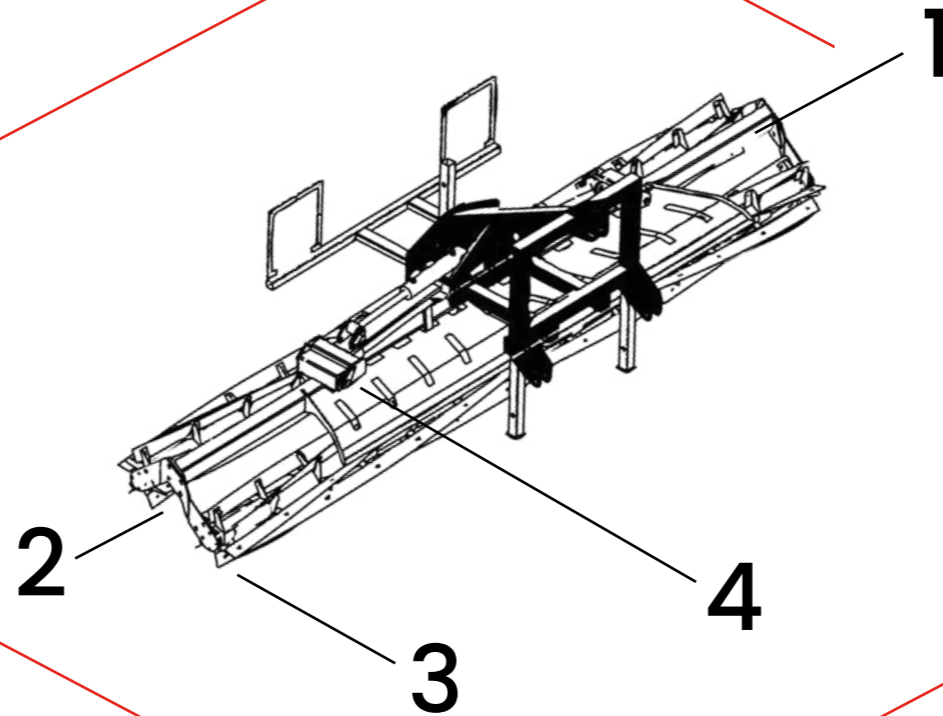
10/2023

4DISC

ROCUT ●●●

The innovative
knife roller

For the **effective shredding** of organic material.



system in detail

- 1** The rollers are designed as a tandem pair. The knives are twisted in opposite directions to produce a cross cut, which gives the RoCut the best possible smooth running and excellent cutting properties.
- 2** Effective and full-surface operation due to staggered arrangement of the rollers with full-surface cut.

- 3** Roller diameter of 340mm, thus aggressive work and high rotation speed for intensive shredding, and knives in close contact with the rotor for maximum stability.
- 4** Very good ground hugging thanks to oscillating body and centered center of gravity suspension.